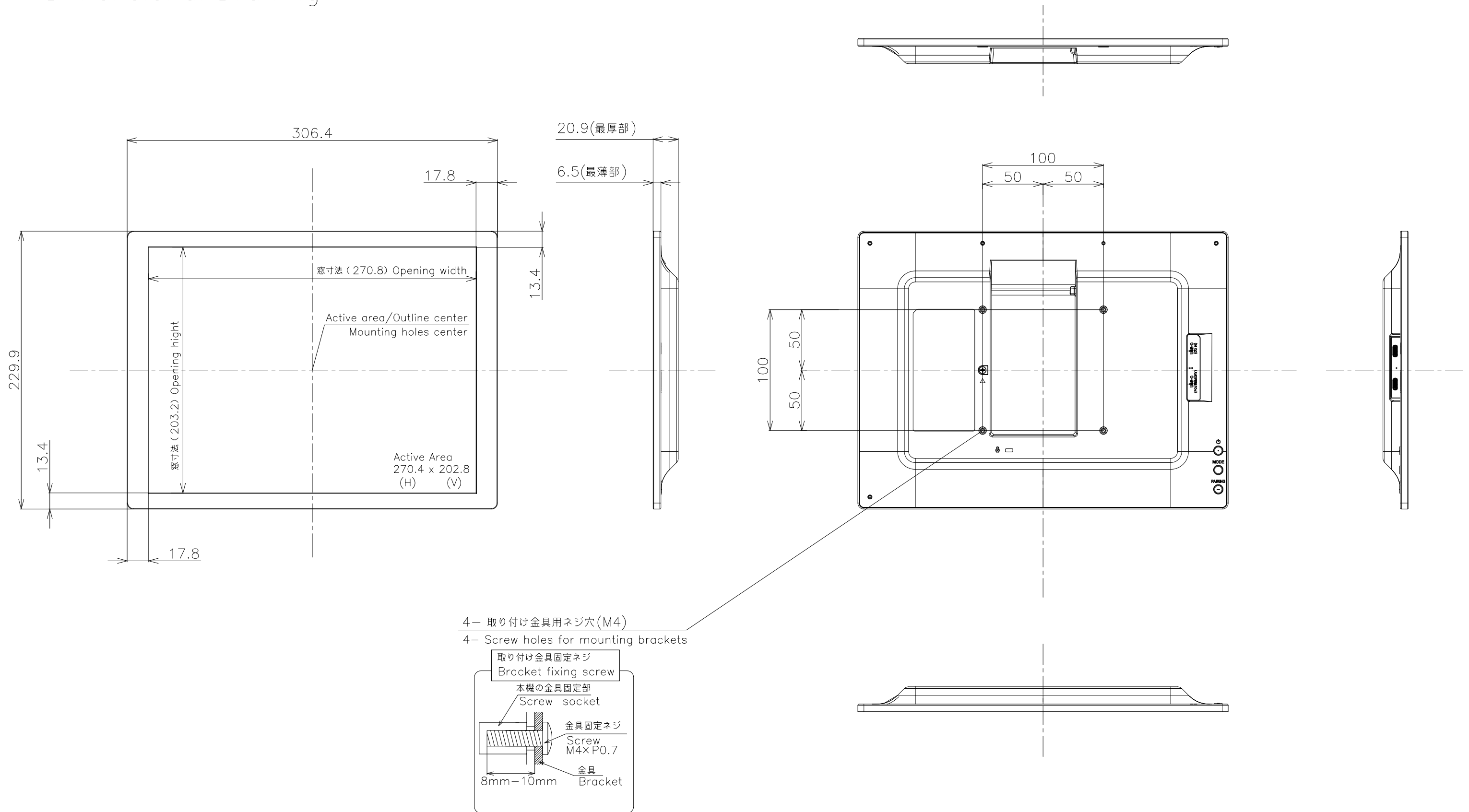


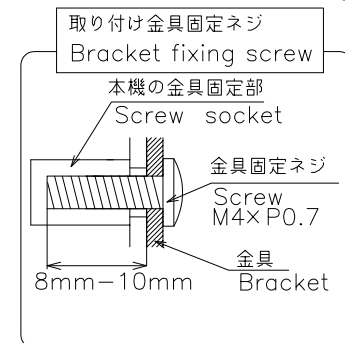
# EP-C131

寸法図

Dimensional Drawing



4- 取り付け金具用ネジ穴 (M4)  
4- Screw holes for mounting brackets



質量	0.7 kg
Weight	Approx.

単位 : mm  
Unit : mm