

# Active Soundbar System SP-AS2

## Passive Soundbar System SP-PS

High-end Soundbar System extends display capabilities.

The top- or bottom-mounted speaker system delivers superior sound quality, combined with a NEC Large Format Display. The result is sound and vision excellence.

The speaker's superior sound quality extends the display capabilities making the combination ideal for video conferencing in corporate office and educational environments delivering audio support for video playback in a variety of applications such as meetings and conferencing, product presentations and at the point of sale.

Choose to mount the Soundbar directly against the display via the optional VESA-bracket or enjoy the flexibility to position the Soundbar elsewhere, on a sideboard or mounted on a wall using the integrated wall-bracket.

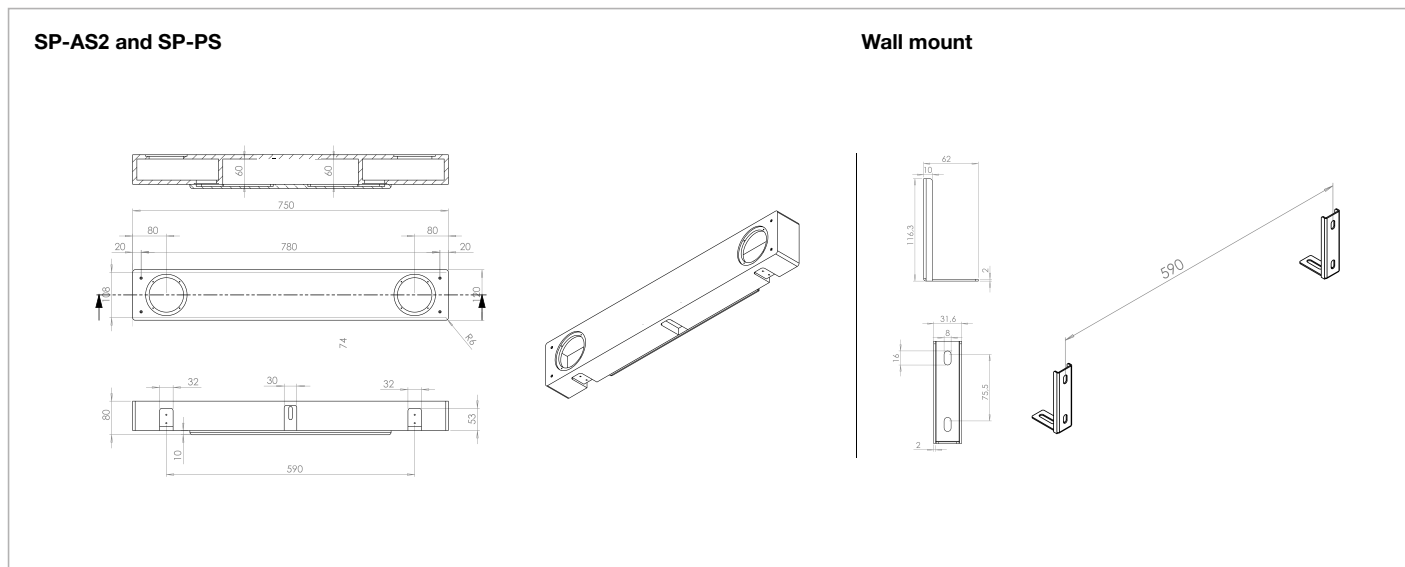
SP-AS2 MOUNTED TO NEC MULTISYNC® C431



## Delivering Genuine Benefits

- **Best of audio and vision** – The ultra-low distortion speakers deliver excellent speech intelligibility, seamlessly combining audio and visual excellence.
- **Excite with clarity** – wide dispersion extends the sweet spot to anywhere in the room, transmitting the spoken word with perfect clarity to the participants of web or telephone conferences and remote meetings.
- **Universal mounting approach** – maximum installation flexibility with different brackets available – a wall mount and an optional VESA-mount
- **Sophisticated engineering with crisp audio** – the solid MDF cabinet effectively minimises potential resonances and interactions with the loudspeaker.
- **Mission-critical 24/7 ready operation** – with reliable, industry grade components and NEC trusted performance.
- **A commitment to quality** – 3 years warranty to match the display warranty and meet long-term demands ensuring peace of mind.

## Technical Drawings



## Technical Specifications

Product Information		
Product Name	<b>SP-AS2</b>	<b>SP-PS</b>
Product Group	Active Soundbar System	Passive Soundbar System
Order Code	100015582	100015011
<b>Speaker</b>		
Short Term Power [W]	100	
Long Term Power [W]	40	
Rated Speaker Impedance [ $\Omega$ ]	8	
Frequency Response Range	70 Hz to 15 kHz	
Sound Pressure Level	82.1 dB (2.83 V)	
Nominal Coverage Pattern (H X V) [ $^{\circ}$ ]	90	
Amplifier	AV-230 Included, 2x30 W (included)	-
<b>Mechanical</b>		
Net Dimensions (W x H x D) [mm]	750 x 120 x 86 (speaker only)	
Net Weight [kg]	3.9 (speaker only)	3.1 (speaker only)
<b>Additional Features</b>		
Supported NEC Hardware	MultiSync <sup>®</sup> C431, C501, C551	NEC Large Format Displays (except MultiSync <sup>®</sup> C431, C501, C551, UHD E series and CB series)
Shipping Content	Soundbar with integrated amplifier, 3.5 mm mini jack, wall mount incl. screws	Soundbar, 2x3 m speaker cable, wall mount incl. screws
Mounting Solutions	Wall mount included; additional VESA mounts available (see following table)	
Warranty	3 years	

## Optional VESA Mounts

Order Code:	SP-Bracket 40"-55" 100015041	SP-Bracket 65"-86" 100015247	SP-Bracket 98" 100015333	SP-Bracket CB65" 100015428	SP-Bracket CB75" CB 86" on demand
<b>NEC Large Format Displays 40" to 55"</b> (except MultiSync® E series)	•	—	—	—	—
<b>NEC Large Format Displays 65" to 86"</b> (except MultiSync® CB series)	—	•	—	—	—
<b>NEC Large Format Displays 98"</b>	—	—	•	—	—
<b>NEC Collaboration Board 65" MultiSync® CB651Q</b>	—	—	—	•	—
<b>NEC Collaboration Board 75"/86" MultiSync®</b>	—	—	—	—	•

## Components

Model		Order Code:	Soundbar	Amplifier
SP-AS2	Active Soundbar System	100015582	•	•
SP-PS	Passive Soundbar System	100015011	•	—

### NEC Display Solutions Europe GmbH

Landshuter Allee 12-14, D-80637 München

infomail@nec-displays.com

Phone: +49 (0) 89 99 699-0

Fax: +49 (0) 89 99 699-500

[www.nec-display-solutions.com](http://www.nec-display-solutions.com)